

BM Range

Evaporators
for undercounter



Power range
0,2-0,6 kW



Reduced thickness



Specially designed for
undercounters, taking advantage
of the space between doors



Exclusive-design grille blowing
the air stream to the unit ceiling,
achieving a great scope



Air discharge by one or both sides



Technical Specifications

Coil: Manufactured in aluminum fins with two fin separations, 4 mm and 6 mm, and copper tube arranged in a staggered pattern. Painted with kiln-polymerized epoxy-polyester.

Body: Manufactured in aluminum painted with kiln-polymerized epoxy-polyester RAL 7004. Drip pan in thermoformed ABS.

Fans: 230v 50/60 Hz single-phase with ball bearings. Class B insulation. Certified UL, CSA, and VDE.

Options

- Electric defrost connected to standard IP54 junction box
- Coil treated with cataphoresis

Codification Description

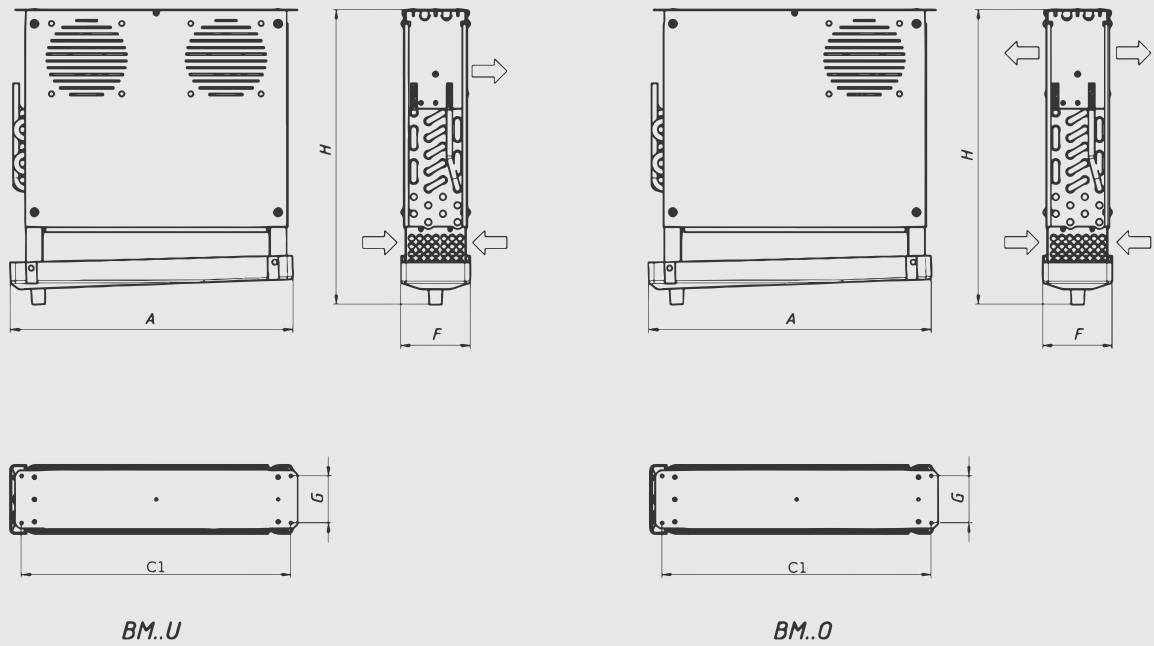
BM	31	A	O	P	E
↑	↑	↑	↑	↑	↑
Range	Model	Fin spacing A = 4 mm B = 6 mm	Fans U = Single Outlet O = Opposed outlet	Finish P = Painted Ø = No painted	Defrost E = Electric Ø = Without Defrost

Technical data

Fin spacing = 4 mm	Model	Capacity			Area (m ²)	Volume (dm ³)	Fans				Weight (kg)
		Standard Conditions EN328 R404A					Air Flow (m ³ /h)	N° x Ø	A	W	
		SC1 (W)	SC2 (W)								
BM18A	269	184		1,0	0,4	200	2x110	0,2	40	3	
BM22A	334	229		1,3	0,5	180	2x110	0,2	40	4	
BM27A	403	276		1,5	0,6	170	2x110	0,2	40	4	
BM31A	469	321		1,8	0,7	160	2x110	0,2	40	4	
BM32A	486	332		1,8	0,7	210	2x110	0,2	40	4	
BM37A	556	381		2,1	0,8	210	2x110	0,2	40	4	
BM48A	650	445		2,5	0,9	200	2x110	0,2	40	5	
BM52A	783	536		3,0	1,0	200	2x110	0,2	40	5	

Fin spacing = 6 mm	Model	Capacity			Area (m ²)	Volume (dm ³)	Fans				Weight (kg)
		Standard Conditions EN328 R404A					Air Flow (m ³ /h)	N° x Ø	A	W	
		SC1 (W)	SC2 (W)	SC3 (W)							
BM22B	284	194	155	0,9	0,5	190	2x110	0,2	40	4	
BM27B	338	231	185	1,1	0,6	180	2x110	0,2	40	4	
BM31B	393	269	215	1,3	0,7	170	2x110	0,2	40	4	
BM32B	407	278	223	1,3	0,7	220	2x110	0,2	40	4	
BM37B	467	320	256	1,5	0,8	220	2x110	0,2	40	4	
BM48B	544	373	298	1,7	0,9	210	2x110	0,2	40	4	
BM52B	652	446	357	2,1	1,0	210	2x110	0,2	40	5	





BM / Common Data	Model	Defrost (W)	Connection		Drain pipe (Inches)	Dimensions				
			IN (Inches)	OUT (Inches)		A (mm)	F (mm)	G (mm)	C1 (mm)	H (mm)
	BM18	200	3/8"	3/8"	3/4"	324	102	70	305	439
	BM22	200	3/8"	3/8"	3/4"	324	102	70	305	439
	BM27	200	3/8"	3/8"	3/4"	324	102	70	305	439
	BM31	200	3/8"	3/8"	3/4"	324	102	70	305	439
	BM32	300	3/8"	3/8"	3/4"	421	103	70	400	438
	BM37	300	3/8"	3/8"	3/4"	421	103	70	400	438
	BM48	300	3/8"	3/8"	3/4"	420	102	70	400	437
	BM52	360	3/8"	3/8"	3/4"	484	101	70	465	443

I-CO-09.4-BM